

# DesignMax DM8S

## surface-mounted loudspeaker

### Product Overview

DesignMax loudspeakers bring outstanding audio and aesthetics to any commercial space. Delivering SPL suitable for foreground music, the 125-watt DesignMax DM8S loudspeaker features a two-way, 8-inch coaxially mounted woofer and a center-firing 1-inch compression driver, delivering a 52 Hz - 20 kHz frequency range. The DM8S is surface-mounted and locks onto a hidden QuickHold U-bracket for fast, secure installation. With both black and white versions available, the DM8S is easy to integrate with any décor.



### Key Features

**Deliver instantly impressive sound** with custom Bose drivers — no DSP or EQ required. For even better sound, use select Bose DSPs and amplifiers to enable Bose loudspeaker EQ and SmartBass processing, which expands performance and response at any listening level

**Blend into any room design** with elegant form factors, minimum-bezel grilles available in black or white, and removable logos

**Reduce installation time** with the patented QuickHold mounting system, which also reduces strain, hassle, and the chance of product damage

**Install easily** — includes Euroblock connectors; makes installation and troubleshooting easier

**Deliver high SPL** for clear foreground music

### Technical Specifications

| SINGLE LOUDSPEAKER PERFORMANCE                |  |                                   |
|---|--|-----------------------------------|
| Frequency Response (-3 dB) <sup>(1)</sup>     | 60 - 20,000 Hz   |                                   |
| Frequency Range (-10 dB) <sup>(1)</sup>       | 52 - 20,000 Hz   |                                   |
| Nominal Coverage Angle (H x V) <sup>(2)</sup> | 130° x 130°  |                                   |
| Nominal Coverage Angle (1 - 10 kHz)           | 115° x 115°  |                                   |
|   | Bose extended-lifecycle test <sup>(5)</sup>                                | AES component test <sup>(6)</sup> |
| Power Handling, long-term continuous          | 125 W  | 150 W                             |
| Power Handling, peak                          | 500 W  | 600 W                             |
| Sensitivity (SPL/ 1W @ 1 m) <sup>(3)</sup>    | 90 dB  | 90 dB                             |
| Calculated Maximum SPL @ 1 m <sup>(4)</sup>   | 111 dB   | 112 dB                            |
| Calculated Maximum SPL @ 1 m, peak            | 117 dB   | 118 dB                            |
| Crossover                                     | 1.5 kHz (passive 2-way crossover)  |                                   |
| Loudspeaker EQ                                | Not Required, Bose EQ voicing and SmartBass processing available           |                                   |
| Recommended High-Pass Protection              | 48 Hz with recommended 24 dB / octave filter                               |                                   |
| Overload protection                           | Resistor-network power reduction with automatic reset                      |                                   |
| Transformer taps                              | 70V: 2.5, 5, 10, 20, 40, 80 W, bypass<br>100V: 5, 10, 20, 40, 80 W, bypass |                                   |
| TRANSDUCERS                                   |  |                                   |
| Low Frequency                                 | 1 x 8-inch woofer (203 mm)   |                                   |
| High Frequency                                | 1 x 1-inch compression driver, coaxial center-firing (25 mm)               |                                   |
| Nominal Impedance                             | 8 ohms (transformer bypass)  |                                   |

# DesignMax DM8S

## surface-mounted loudspeaker

| <b>PHYSICAL</b>                     |  |
|-------------------------------------|--|
| Enclosure Material                  | Engineered plastics, highly UV fade resistant  |
| Bracket Material                    | Powder-coated steel  |
| Grille                              | Magnetically attached perforated steel, powder-coated finish, paintable, tamper-resistant design, includes safety-tether                       |
| Logo                                | Rotatable, removable   |
| Color                               | Black: Ral 9005, White: Bose Arctic White, similar to RAL 9003, Paintable  |
| Environmental                       | Indoor only  |
| Safety Agency                       | UL-1480A, S5591/ UL Listed, NFPA70, in accordance with IEC60268-5, ROHS, CE compliant  |
| Operating Temperature Range         | 0 °C to 50 °C (32 °F to 122 °F)  |
| Connectors                          | Euroblock 6-pin connector with loop-through, mounted on rear. Accepts 18 AWG (0.8 mm <sup>2</sup> ) to 14 AWG (2.5 mm <sup>2</sup> ) size wire |
| Suspension / Mounting               | QuickHold Mounting System with included U-Bracket  |
|                                     | 4 preset mounting angles: 0°, 15°, 30°, 45° for wall or ceiling placement  |
|                                     | Two (2) rear M8 screw inserts for use with optional pan & tilt bracket and one (1) rear M8 screw insert for safety-tether attachment           |
| Dimensions (H × W × D)              | 395 × 249 × 255 mm (15.6 × 9.8 × 10.0 in)  |
| Dimensions (H × W × D) with bracket | 395 × 249 × 272 mm (15.6 × 9.8 × 10.7 in)  |
| Net Weight, Loudspeaker with grille | 10.3 kg (22.8 lbs)   |
| Shipping Weight, Single             | 13.2 kg (29.0 lb)  |
| Included Accessories                | U-Bracket, powder-coated steel   |
| Optional Accessories                | Pan & Tilt Bracket   |
| <b>PRODUCT CODES</b>                |  |
| 801332-0110                         | DESIGNMAX DM8S SINGLE BLK  |
| 801332-0210                         | DESIGNMAX DM8S SINGLE WHT  |

#### Footnotes

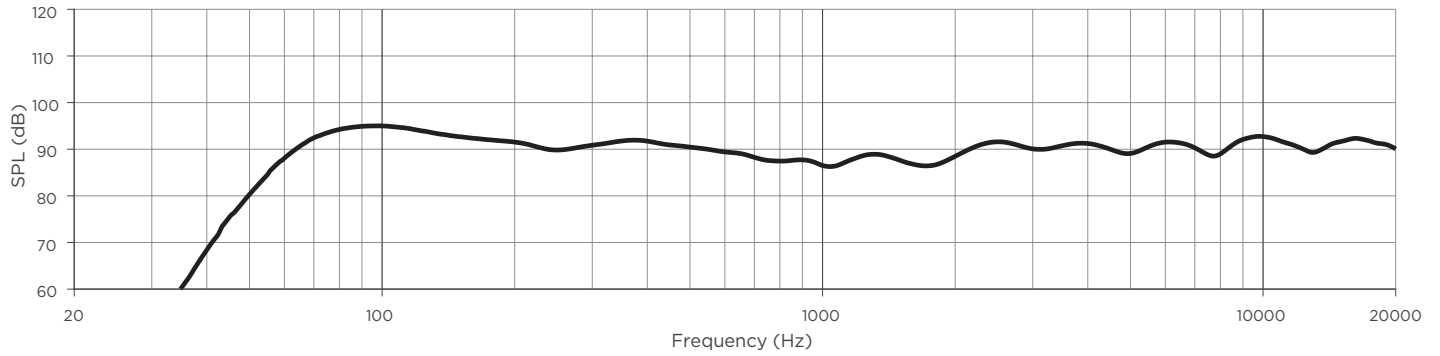
- (1) Frequency response and range measured on-axis in half-space environment with Bose EQ voicing
- (2) 1 kHz to 4 kHz average
- (3) Sensitivity measured on-axis in half-space environment with Bose EQ voicing
- (4) Maximum SPL calculated from sensitivity and power handling specifications, exclusive of power compression.
- (5) Bose extended-lifecycle test using pink noise filtered to meet IEC268-5, 6-dB crest factor, 500-hour duration.
- (6) AES standard 2-hour duration with IEC system noise

For additional specifications and application information, please visit [PRO.BOSE.COM](http://PRO.BOSE.COM).  
Specifications subject to change without notice. 04/2020

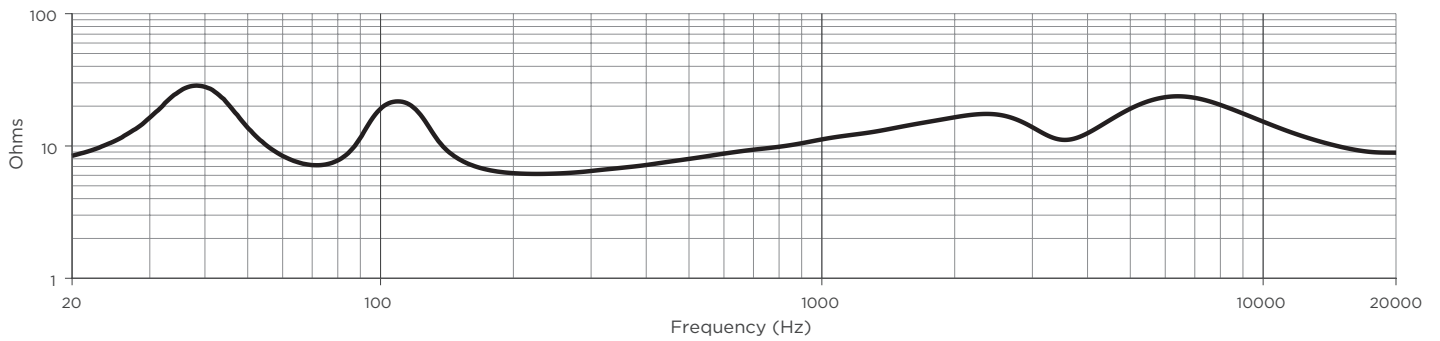
# DesignMax DM8S

## surface-mounted loudspeaker

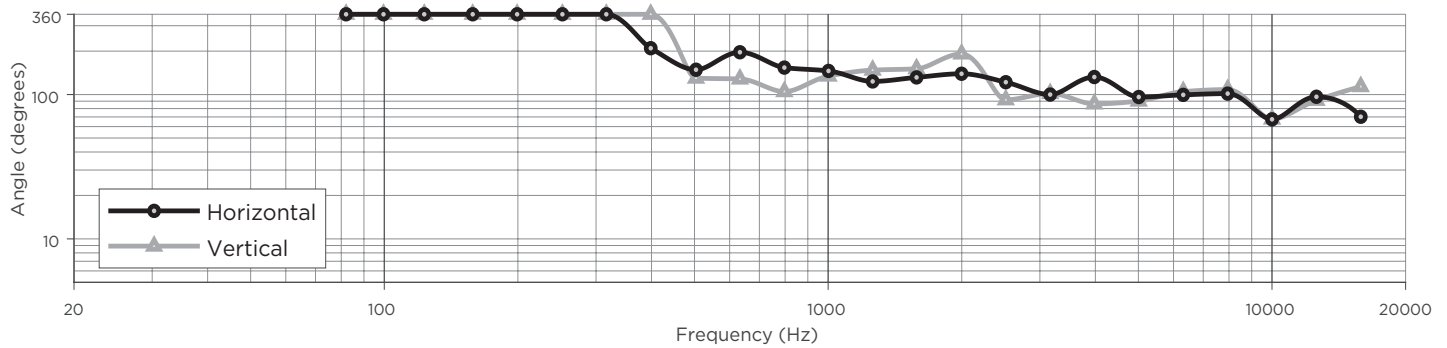
### On-Axis Frequency Response (half-space ( $2\pi$ ) with Bose EQ voicing)



### Impedance



### Beamwidth

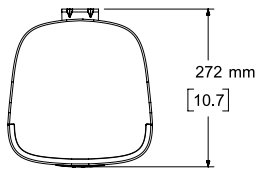


For additional specifications and application information, please visit [PRO.BOSE.COM](http://PRO.BOSE.COM). Specifications subject to change without notice. 04/2020

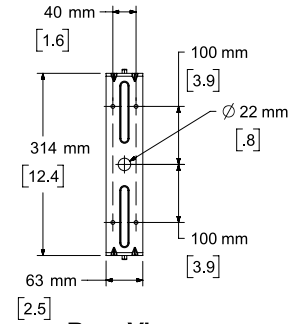
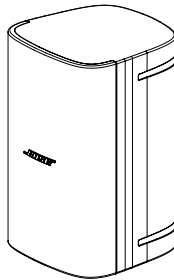
# DesignMax DM8S

## surface-mounted loudspeaker

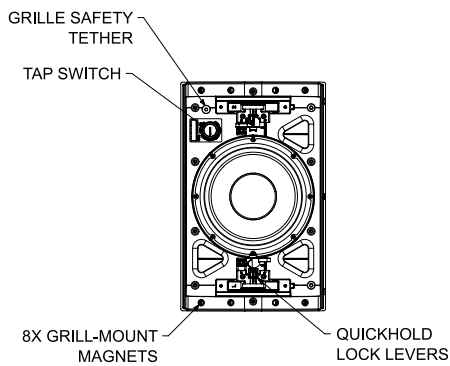
### Dimensions



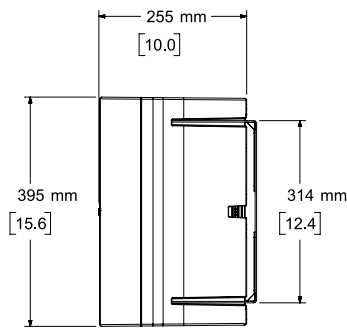
**Top View**



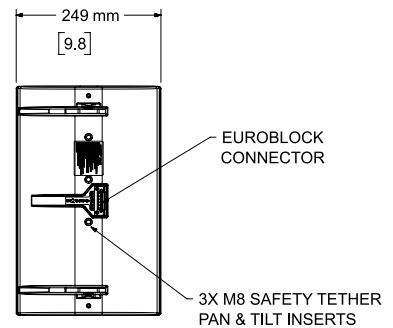
**Rear View**  
BRACKET ONLY



**Front View**  
GRILLE REMOVED FOR CLARITY



**Right View**  
DIMENSIONS APPLY TO BOTH SIDES



**Rear View**  
BRACKET REMOVED FOR CLARITY

**NOTES:**

1. DIMENSIONS ARE IN MILLIMETERS OVER INCHES
2. WEIGHT APPROX 10.3kg [22.8lbs] (SPEAKER ONLY)  
WEIGHT W/BRACKET APPROX 11.3kg [24.9lbs]

For additional specifications and application information, please visit [PRO.BOSE.COM](http://PRO.BOSE.COM).  
Specifications subject to change without notice. 04/2020