

# DesignMax DM5SE

## surface-mounted loudspeaker

### Product Overview

DesignMax loudspeakers bring outstanding audio and aesthetics to any commercial space. The 50-watt DesignMax DM5SE loudspeakers each feature a two-way 5.25-inch woofer and 1-inch tweeter coaxially mounted within the Dispersion Alignment system, producing a frequency range of 65 Hz - 20 kHz. The DM5SE is surface-mounted, IP55 outdoor-rated, and locks onto a hidden QuickHold U-Bracket for fast, secure installation. And with both black and white versions available, DesignMax loudspeakers integrate seamlessly with any décor.



### Key Features

**Deliver instantly impressive sound** with custom Bose drivers — no DSP or EQ required. For even better sound, use select Bose DSPs and amplifiers to enable Bose loudspeaker EQ and SmartBass processing, which expands performance and response at any listening level

**Ensure a consistent listening experience** throughout the room with the Dispersion Alignment system, which matches the coverage of the woofer to the pattern of the tweeter

**Blend into any room design** with elegant form factors, minimum-bezel grilles available in black or white, and removable logos

**Reduce installation time** with the patented QuickHold mounting system, which also reduces strain, hassle, and the chance of product damage

**Install easily** — includes Euroblock connector

**Install DM5SE outside** — IP55 rating with standard aluminum grille and weather resistant input cover for outdoor use

### Technical Specifications

| SINGLE LOUDSPEAKER PERFORMANCE              |   |                                   |
|---|---|-----------------------------------|
| Frequency Response (-3 dB) <sup>(1)</sup>   | 73 - 17,000 Hz  |                                   |
| Frequency Range (-10 dB) <sup>(1)</sup>     | 65 - 20,000 Hz  |                                   |
| Nominal Coverage (H × V) <sup>(2)</sup>     | 135° × 135°   |                                   |
| Nominal Coverage Angle (1 - 10 kHz)         | 130° × 130°   |                                   |
|   | Bose extended-lifecycle test <sup>(5)</sup>                                   | AES component test <sup>(6)</sup> |
| Power Handling, long-term continuous        | 50 W  | 60 W                              |
| Power Handling, peak                        | 200 W   | 240 W                             |
| Sensitivity (SPL/ 1W @ 1 m) <sup>(3)</sup>  | 87 dB   | 87 dB                             |
| Calculated Maximum SPL @ 1 m <sup>(4)</sup> | 104 dB  | 105 dB                            |
| Calculated Maximum SPL @ 1 m, peak          | 110 dB  | 111 dB                            |
| Crossover                                   | 1.8 kHz (passive 2-way crossover)   |                                   |
| Loudspeaker EQ                              | Not Required, Bose EQ voicing and SmartBass Processing available              |                                   |
| Recommended High-Pass Protection            | 65 Hz with recommended 24 dB / octave filter                                  |                                   |
| Overload protection                         | Resistor-network power reduction with automatic reset                         |                                   |
| Transformer taps                            | 70V: 3, 6, 12, 25, 50 W, bypass<br>100V: 6, 12, 25, 50 W, bypass              |                                   |
| TRANSDUCERS                                 |   |                                   |
| Low Frequency                               | 1 × 133 mm woofer (5.25-inch), weather treated                                |                                   |
| High Frequency                              | 1 × 25 mm (1-inch) neodymium dome tweeter, coaxially mounted, weather-treated |                                   |
| Technology                                  | Dispersion Alignment System, 165 mm (6.5 in) system diameter                  |                                   |
| Nominal Impedance                           | 8 ohms (transformer bypass)   |                                   |

# DesignMax DM5SE

## surface-mounted loudspeaker

| PHYSICAL                                     |  |
|--|--|
| Enclosure Material                           | Engineered plastics, highly UV fade resistant  |
| Bracket Material                             | Powder-coated steel  |
| Grille                                       | Perforated aluminum with a powder coat finish, tamper-resistant design, paintable  |
| Logo   | Rotatable, removable   |
| Color  | Black: RAL 9005, White: Bose Arctic White, similar to RAL 9003, Paintable  |
| Environmental / Ingress-Protection           | Outdoor per IEC 529 IP55 (suitable for use outdoors in wet locations), includes aluminum grille to prevent red corrosion and weather resistant input cover |
| Safety Agency                                | UL14804, S5591/UL listed, NFPA701 in accordance with IEC 60268-5, ROHS, CE compliant   |
| Operating Temperature Range                  | -25 °C to 70 °C (-13 °F to 158 °F)   |
| Connectors                                   | Euroblock 6-pin connector with loop-through, mounted on rear. Accepts 18 AWG (0.8 mm <sup>2</sup> ) to 14 AWG (2.5 mm <sup>2</sup> ) size wire             |
| Suspension / Mounting                        | QuickHold Mounting System with included U-Bracket  |
|  | 4 preset mounting angles: 0°, 15°, 30°, 45° for wall or ceiling placement  |
|  | Two (2) rear M8 screw inserts for use with optional pan & tilt bracket and one (1) rear M8 screw insert for safety-tether attachment                       |
| Dimensions (H x W x D)                       | 286 x 192 x 197 mm (11.2 x 7.5 x 7.7 in)   |
| Dimensions (H x W x D) with bracket          | 286 x 192 x 215 mm (11.2 x 7.5 x 8.4 in)   |
| Net Weight, Loudspeaker with grille (single) | 4.38 kg (9.7 lb)   |
| Shipping Weight (pair)                       | 11.4 kg (25.2 lb)  |
| Included Accessories                         | U-Bracket, powder-coated steel   |
| Optional Accessories                         | Pan & Tilt Bracket   |
| PRODUCT CODES                                |  |
| 829705-0110                                  | DESIGNMAX DM5SE PAIR BLK   |
| 829705-0210                                  | DESIGNMAX DM5SE PAIR WHT   |

#### Footnotes

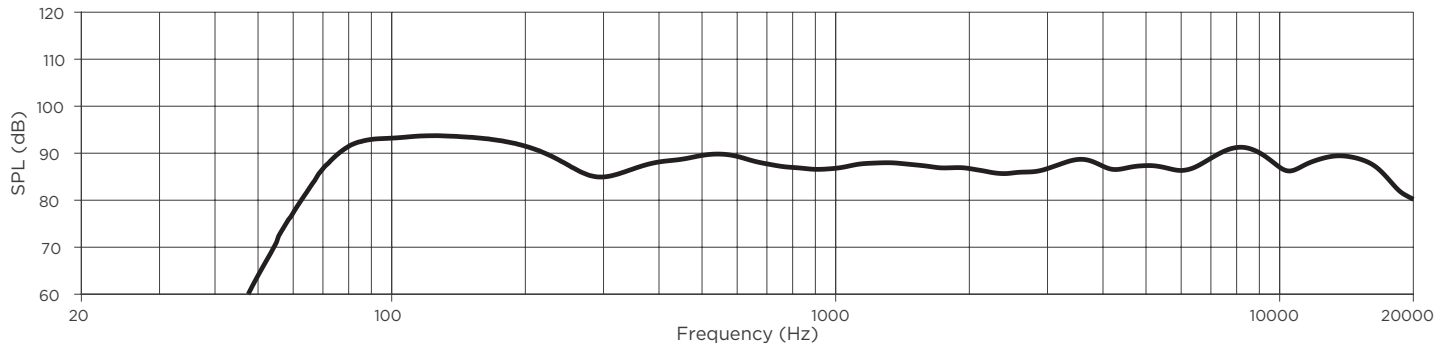
- (1) Frequency response and range measured on-axis in half-space environment with Bose EQ voicing
- (2) 1 kHz to 4 kHz average
- (3) Sensitivity measured on-axis in half-space environment with Bose EQ voicing
- (4) Maximum SPL calculated from sensitivity and power handling specifications, exclusive of power compression.
- (5) Bose extended-lifecycle test using pink noise filtered to meet IEC268-5, 6-dB crest factor, 500-hour duration.
- (6) AES standard 2-hour duration with IEC system noise

For additional specifications and application information, please visit [PRO.BOSE.COM](http://PRO.BOSE.COM).  
Specifications subject to change without notice. 04/2020

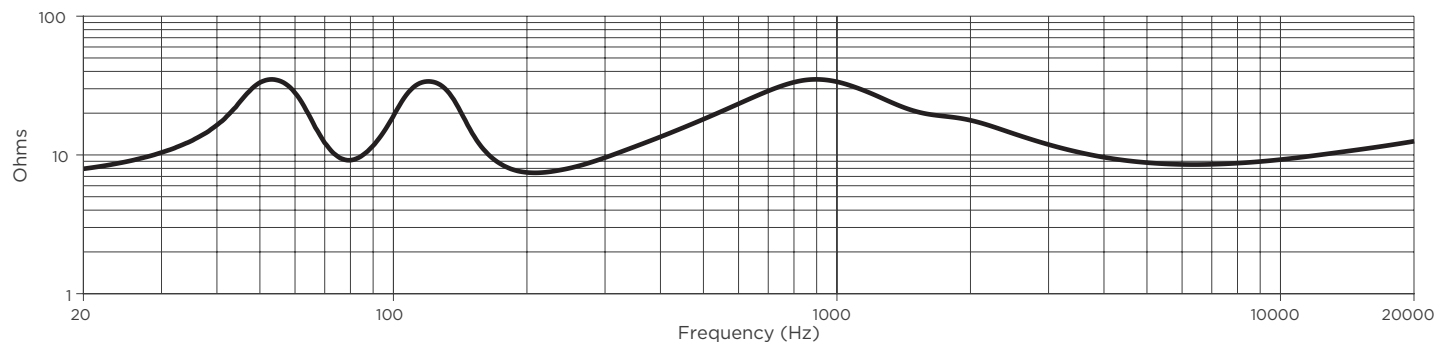
# DesignMax DM5SE

## surface-mounted loudspeaker

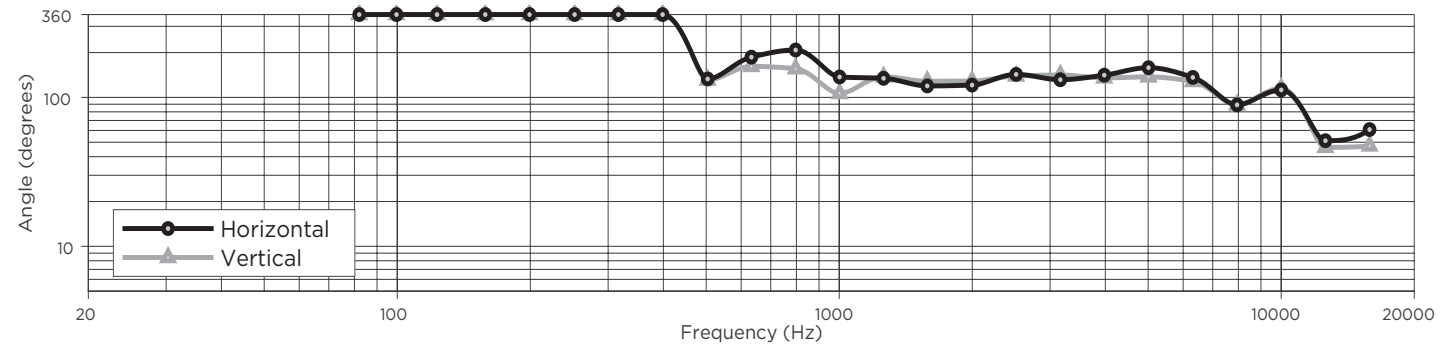
### On-Axis Frequency Response (half-space ( $2\pi$ ) with Bose EQ voicing)



### Impedance



### Beamwidth

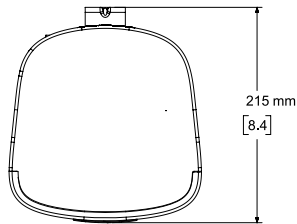


For additional specifications and application information, please visit [PRO.BOSE.COM](http://PRO.BOSE.COM).  
Specifications subject to change without notice. 04/2020

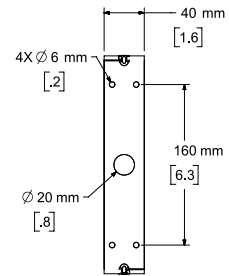
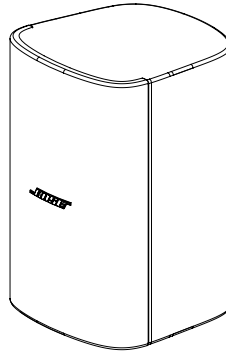
# DesignMax DM5SE

## surface-mounted loudspeaker

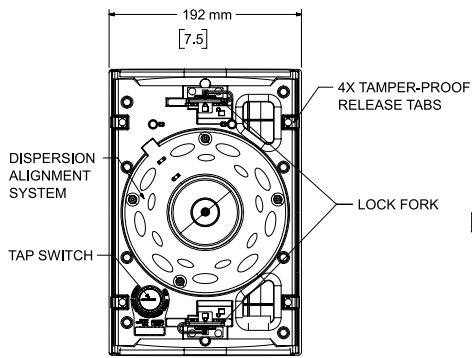
### Dimensions



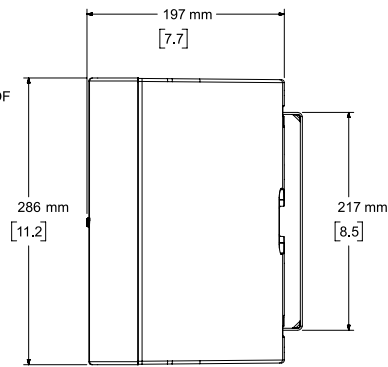
**Top View**



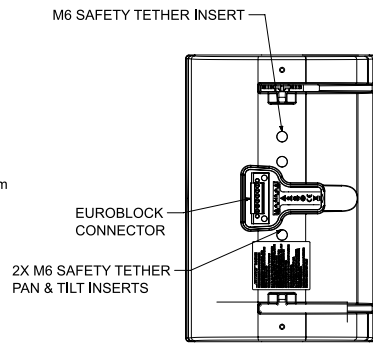
**Rear View**  
BRACKET ONLY



**Front View**  
GRILLE REMOVED FOR CLARITY



**Right View**  
DIMENSIONS APPLY TO BOTH SIDES



**Rear View**  
BRACKET/INPUT COVER REMOVED FOR CLARITY

- NOTES:  
 1. DIMENSIONS ARE IN MILLIMETERS OVER INCHES  
 2. WEIGHT APPROX 4.38kg [9.7lbs] (SPEAKER ONLY)  
 WEIGHT W/BRACKET APPROX 4.75kg [10.5lbs]